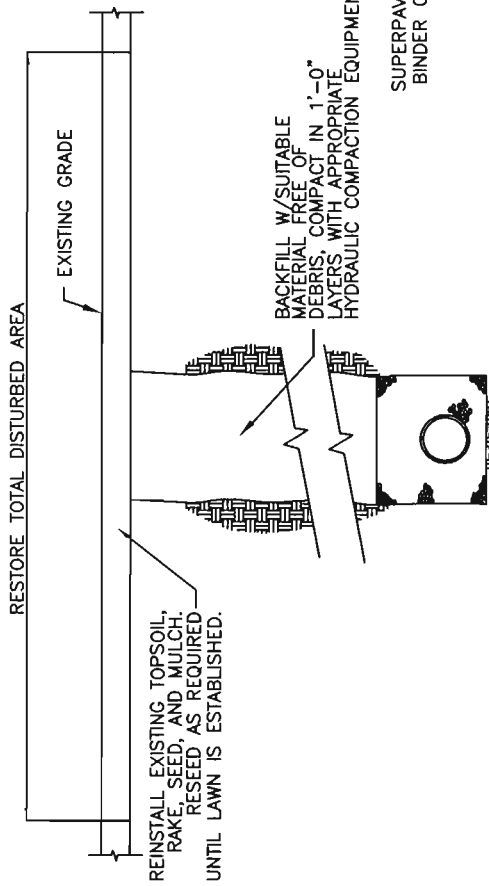
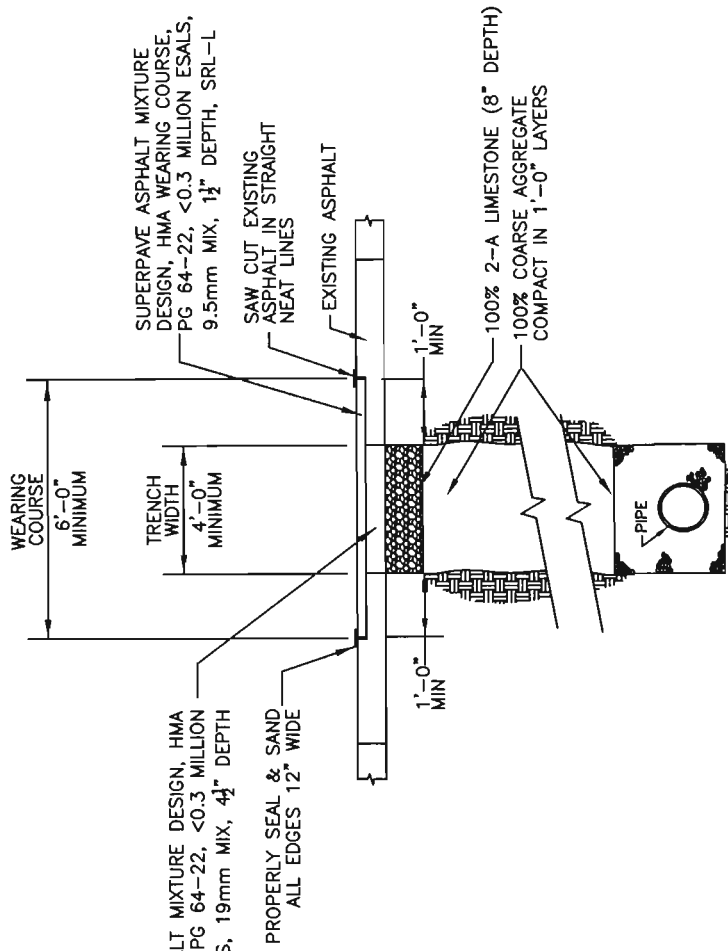


DO NOT
 ✖ REMOVE TOP
 SOIL FROM SITE.



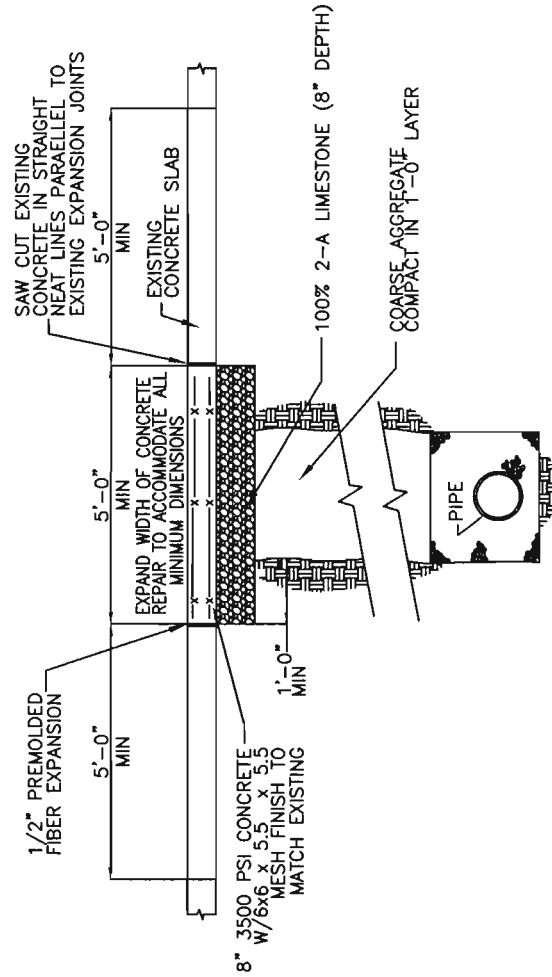
LAWN RESTORATION

N.T.S.




**BITUMINOUS REPLACEMENT
 (LOCAL ROADWAYS)**

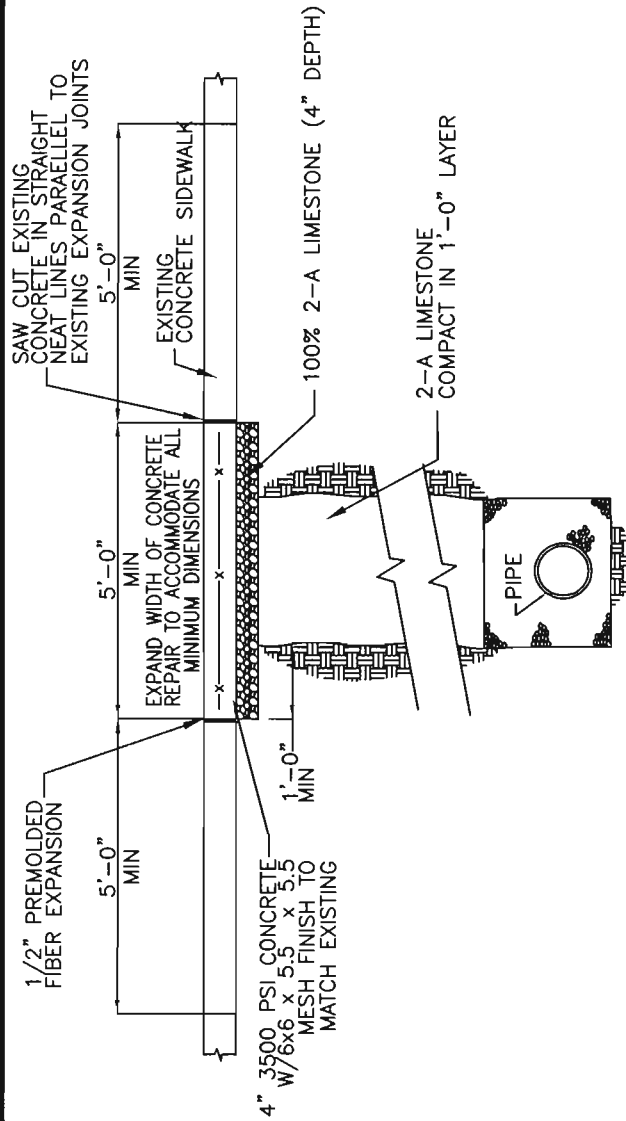
N.T.S.



CONCRETE PAVEMENT RESTORATION

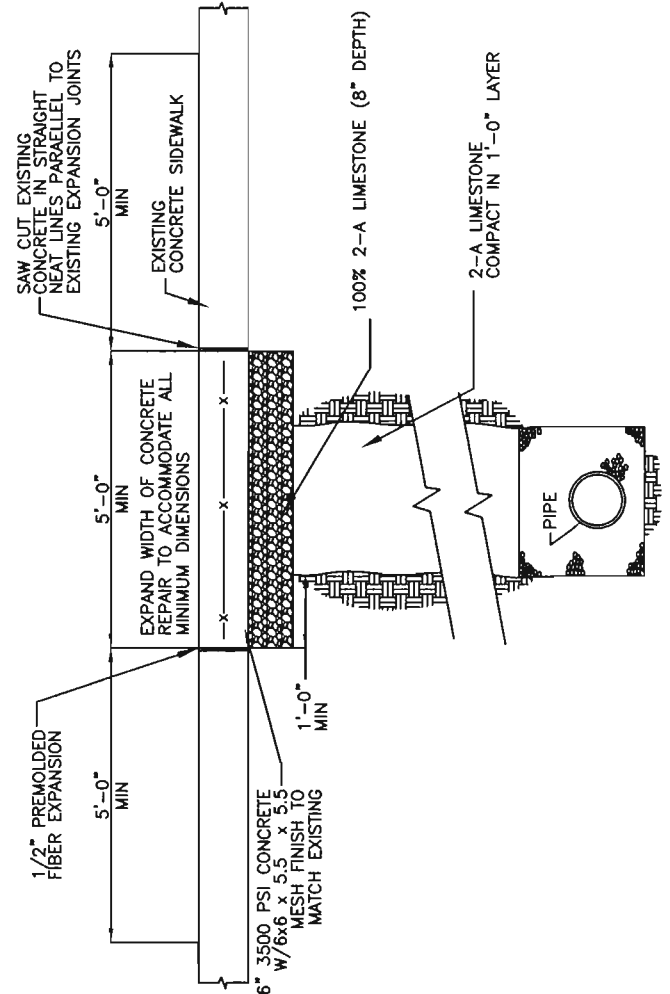
N.T.S.

DRAWN WHJ		DESIGNED WHJ		CHECKED ARB		APPROVED ARB		BOOK NO. NA	
CALIFORNIA BOROUGH		CALIFORNIA PA, WASHINGTON COUNTY		SCALE N.T.S.		DATE 01-2011		JOB DES. 01	
		FAYETTE ENGINEERING COMPANY INC. <small>CONSULTING ENGINEERS WASHINGTON, PA</small>		STREET RESTORATION DETAILS		SCALE N.T.S.		DATE 01-2011	
						BOOK NO. NA		JOB DES. 01	



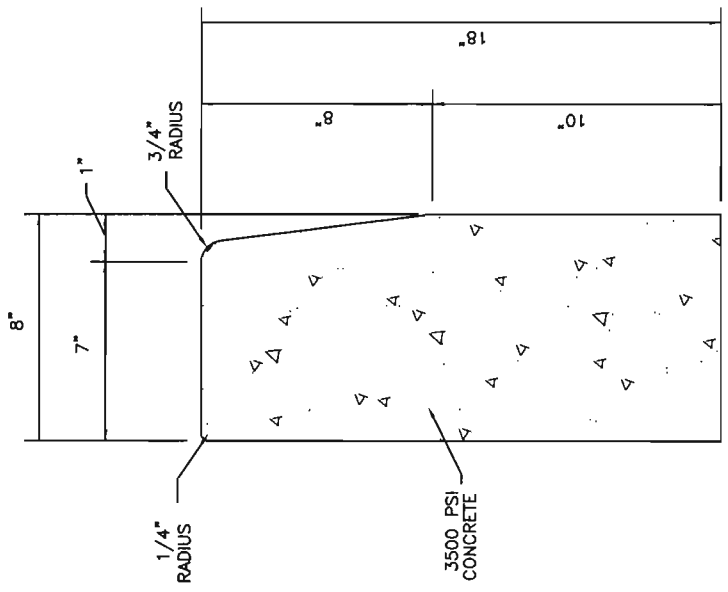
CONCRETE SIDEWALK RESTORATION (4")

N.T.S.



CONCRETE SIDEWALK RESTORATION (6")

N.T.S.



CURB DETAIL

(PENNDOT STANDARD CONSTRUCTION SERIES RC-64M)

N.T.S.

DRAWN WFLJ	DESIGNED WFLJ	CHECKED ARB	APPROVED ARB	BOOK NO. NA	CALIFORNIA BOROUGH CALIFORNIA PA, WASHINGTON COUNTY STREET RESTORATION DETAILS	JOB DES.
						SCALE N.T.S. DATE 01-2011 SHEET NO. 02



FAYETTE ENGINEERING
COMPANY INC.
CONSULTING ENGINEERS
UNIONTOWNSHIP, PA