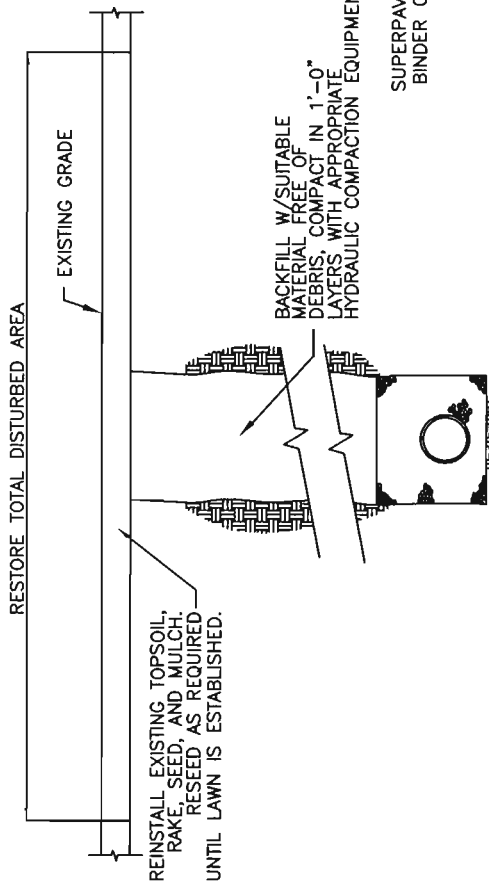
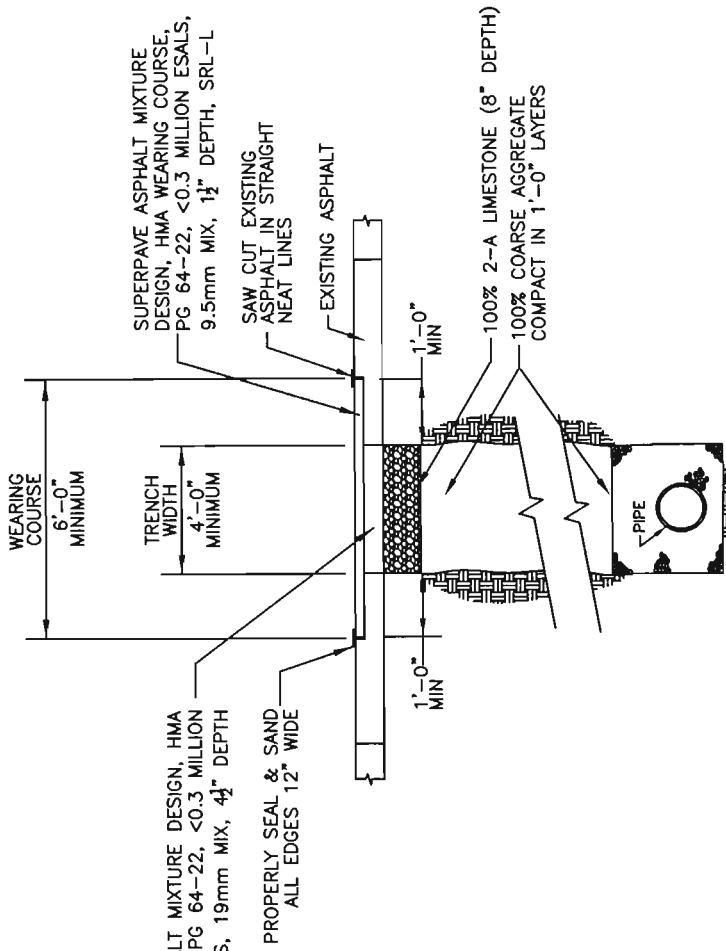


DO NOT
 ✱ REMOVE TOP
 SOIL FROM SITE.



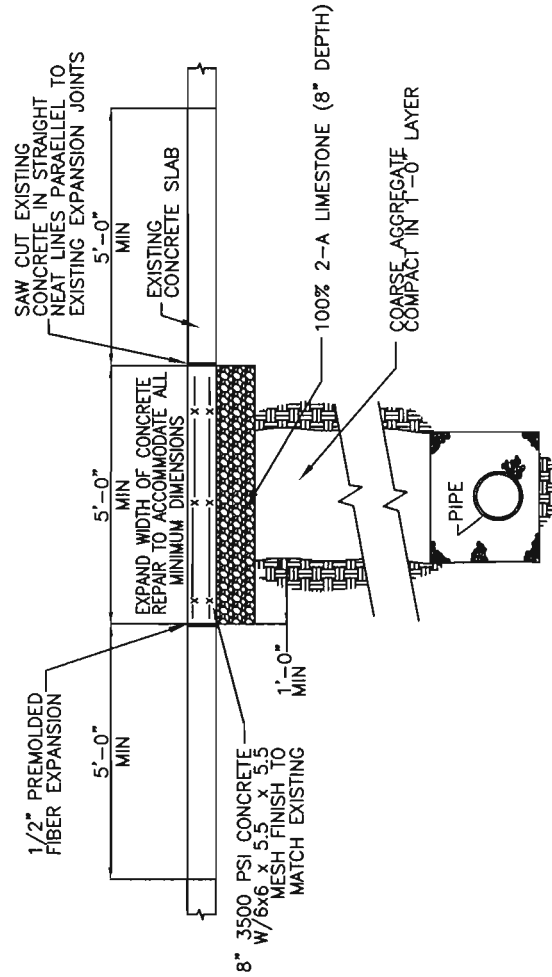
LAWN RESTORATION

N.T.S.



BITUMINOUS REPLACEMENT
 (LOCAL ROADWAYS)

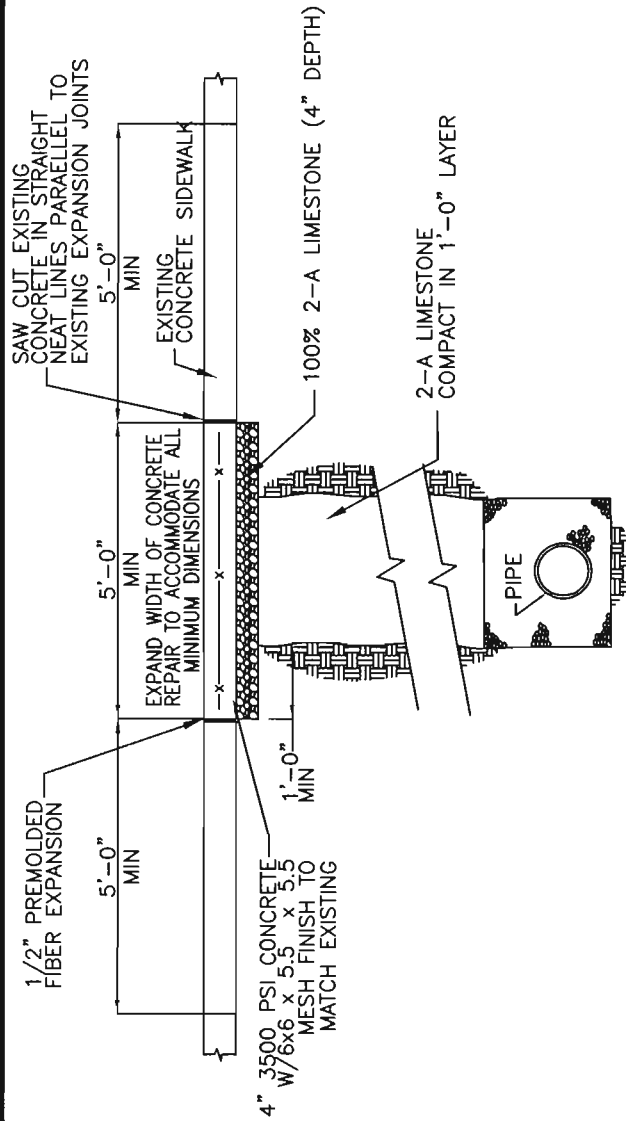
N.T.S.



CONCRETE PAVEMENT RESTORATION

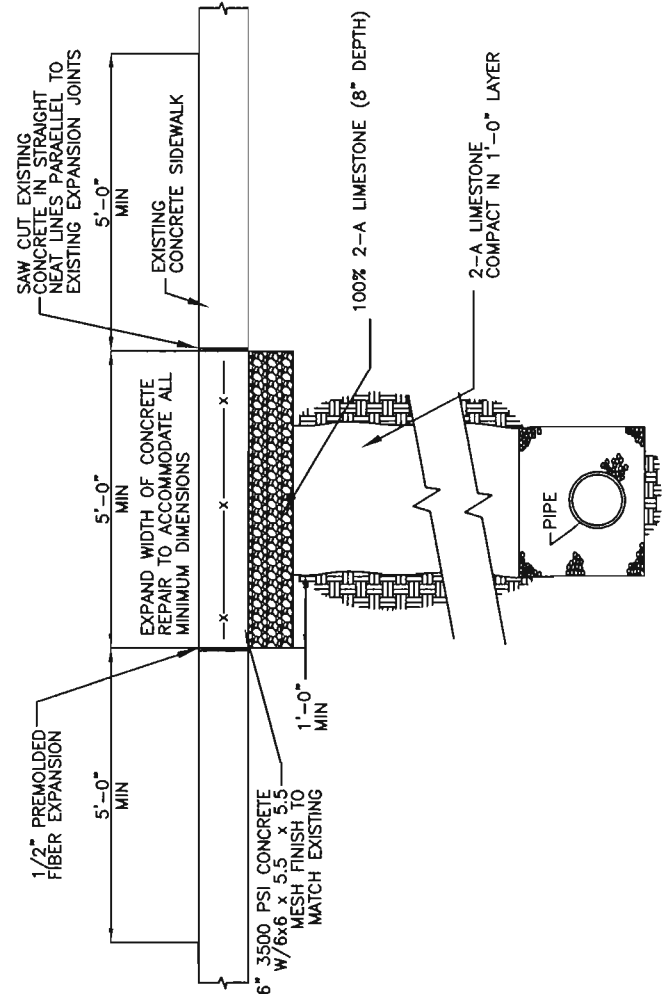
N.T.S.

DRAWN WHJ		DESIGNED WHJ		CHECKED ARB		APPROVED ARB		BOOK NO. NA	
CALIFORNIA BOROUGH		CALIFORNIA PA, WASHINGTON COUNTY		SCALE N.T.S.		DATE 01-2011		JOB DES. SHEET NO. 01	
STREET RESTORATION DETAILS					FAYETTE ENGINEERING COMPANY INC. CONSULTING ENGINEERS SHARPTOWN, PA				



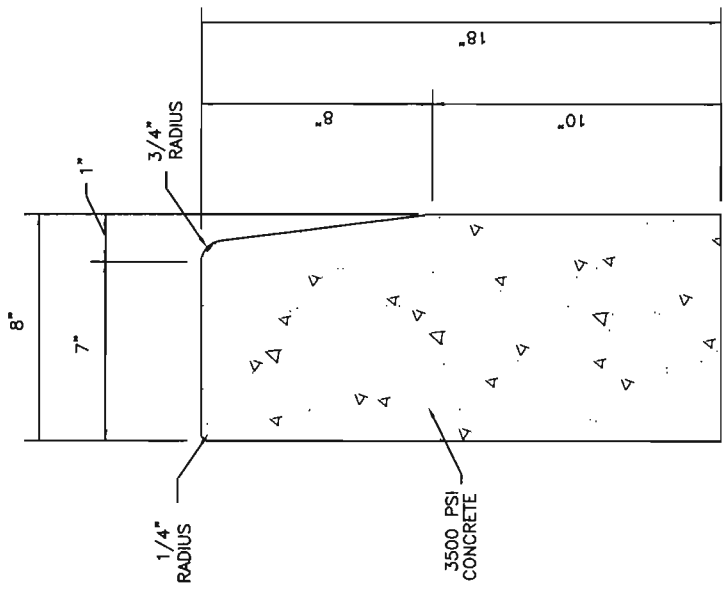
CONCRETE SIDEWALK RESTORATION (4")

N.T.S.



CONCRETE SIDEWALK RESTORATION (6")

N.T.S.



CURB DETAIL

(PENNDOT STANDARD CONSTRUCTION SERIES RC-64M)

N.T.S.

DRAWN	WFLJ	JOB DES.	CALIFORNIA BOROUGH
DESIGNED	WFLJ	SCALE	CALIFORNIA PA, WASHINGTON COUNTY
CHECKED	ARB	APPROVED	ARB
BOOK NO.	NA	DATE	01-2011
SHEET NO.	02	SCALE	N.T.S.
		 FAYETTE ENGINEERING COMPANY INC. CONSULTING ENGINEERS UNIONTOWNSHIP, PA	